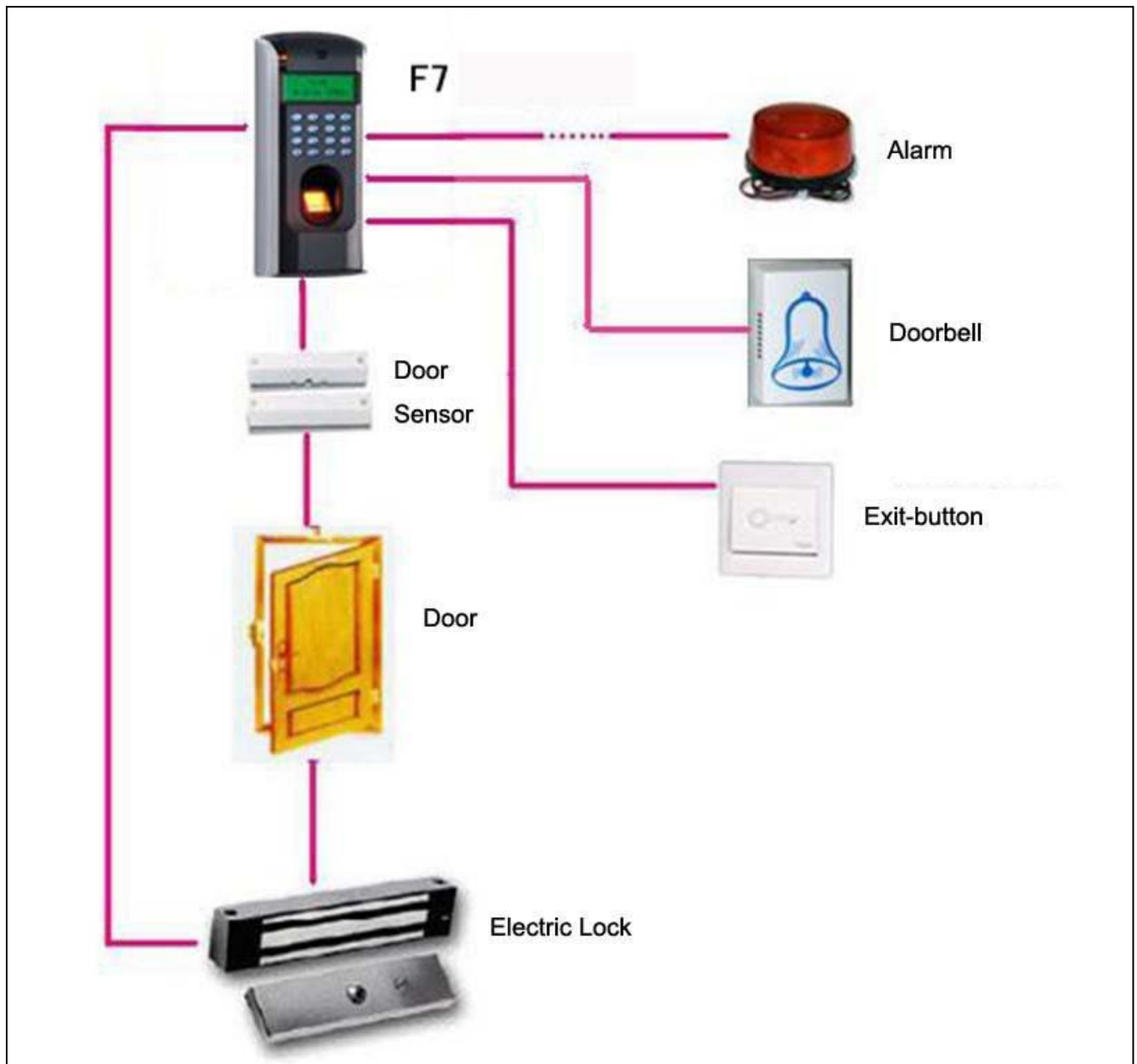
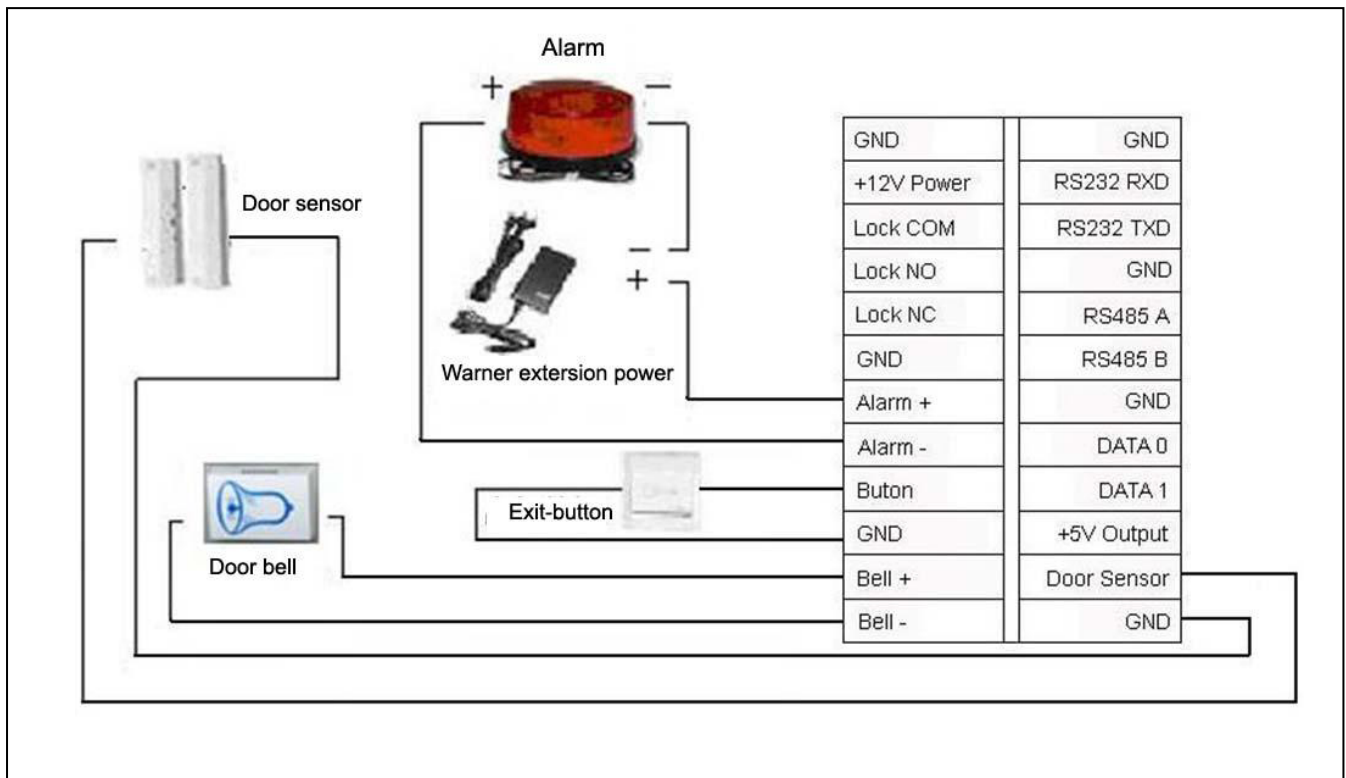


ภาพแสดงการติดตั้งอุปกรณ์สแกนลายนิ้วมือ (Finger scan)



ผังการต่ออุปกรณ์ Finger Scan F7

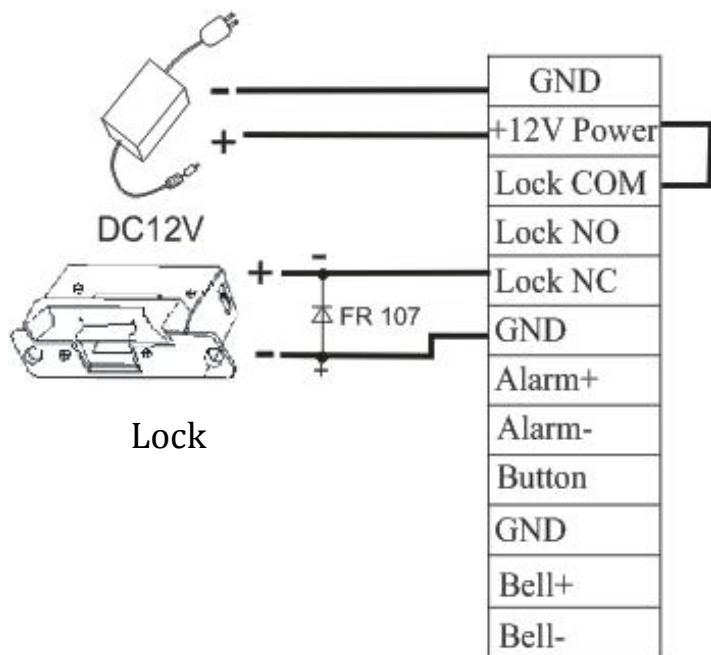


ผังการต่อ door Lock Finger Scan F7

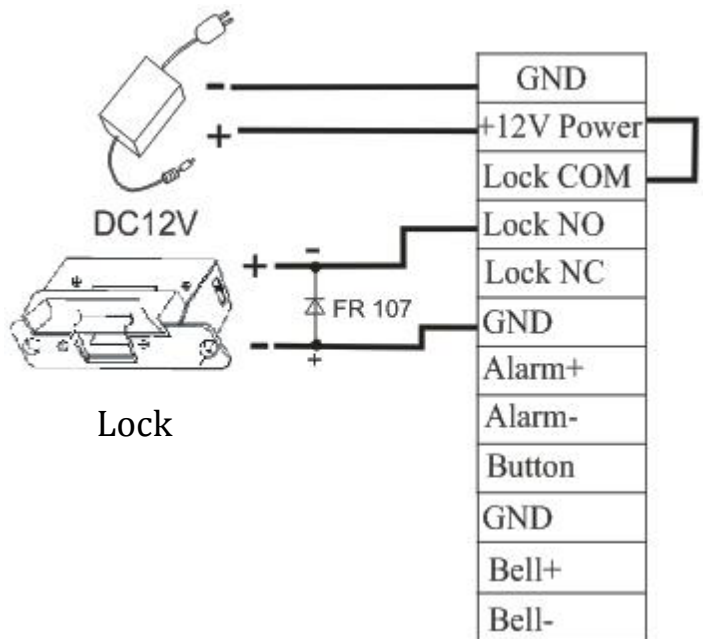


GND	GND
+12V Power	RS232 RXD
Lock COM	RS232 TXD
Lock NO	GND
Lock NC	RS485 A
GND	RS485 B
Alarm +	GND
Alarm -	DATA 0
Button	DATA 1
GND	+5V Output
Bell +	Door Sensor
Bell -	GND

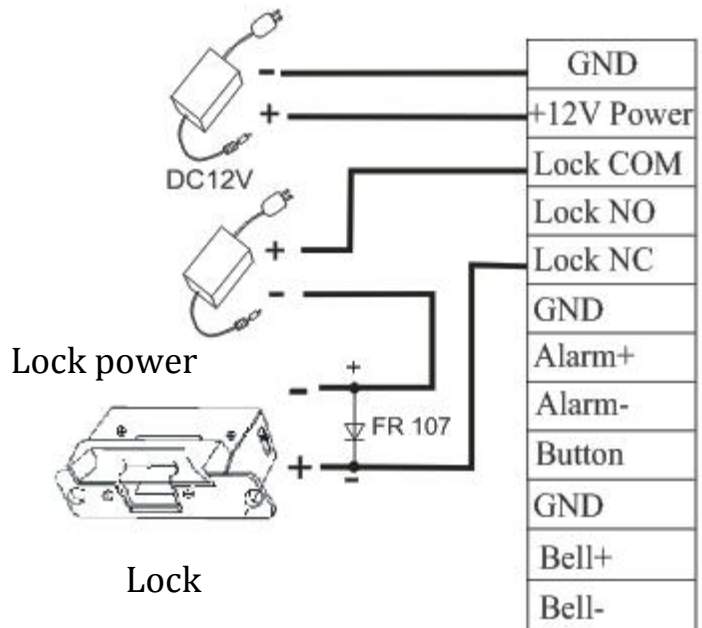
1) NC lock connection
 (the machine and lock
 Power by one adapter)



2) NO lock connection
 (the machine and lock
 Power by one adapter)



3) NC lock connection
 (The machine and Lock powered by independent adapters)



4) NO lock connection
 (The machine and lock powered by independent adapters)

